

HINO, TRUCKS THAT DELIVER



HINO 500
SPEC SHEET



HINO 500 STANDARD CAB				HINO 500 WIDE CAB		
DESCRIPTION	HINO 500 1018 FC	HINO 500 1322 4X4 FC	HINO 500 1326 FC	HINO 500 1627 FC LWB	HINO 500 1627 FC LWB AT	HINO 500 1627 FC SLWB
ENGINE						
Make and Model	Hino J05E - TC	Hino J08C-UL	Hino J08E - UD	J08E-WH	J08E-WH	J08E-WH
4 Stroke Compression Ignition	Yes	Yes	Yes	Yes	Yes	Yes
Aspiration	Turbo-Intercooled	Turbo-Intercooled	Turbo-Intercooled	Turbo-Intercooled	Turbo-Intercooled	Turbo-Intercooled
Bore X Stroke (mm)	112 x 130	112x130	112x130	112x130	112x130	112x130
Capacity (cc)	5 123	7 684	7 684	7 684	7 684	7 684
Compression Ratio : ~ : 1	18:1	18:1	18:1	18:1	18:1	18:1
Configuration	Four Cylinder In-Line	Six Cylinder In-Line	Six Cylinder In-Line	Six Cylinder In-Line	Six Cylinder In-Line	Six Cylinder In-Line
Engine oil cooler	Yes	Yes	Yes	Yes	Yes	Yes
Euro Emission Status	3	2	3	3	3	3
Firing order	1-3-4-2	1-4-2-6-3-5	1-4-2-6-3-5	1-4-2-6-3-5	1-4-2-6-3-5	1-4-2-6-3-5
Governor : All speed / RLD	Yes	Yes	Yes	Yes	Yes	Yes
Governor: Electronic (80 km/h)	Yes	Yes	Yes	Yes	Yes	Yes
Injector Pump	Common Rail	Zexel	Common Rail	Common Rail	Common Rail	Common Rail
Max Eng. Speed rpm	2 900	2 900	2 900	2 750	2 750	2 750
Power (EEC/ISO NET) kW @ rpm	129 @ 2 500	152 @ 2 500	184 @ 2 500	191 @ 2 500	191 @ 2 500	191 @ 2 500
Torque Nm @ rpm	500 @ 1 500	603 @ 1 500	739 @ 1 500	794 @ 1 500	794 @ 1 500	794 @ 1 500
Number of Cylinders	4	6	6	6	6	6
Valve Configuration	OHC	OHC	OHC	OHC	OHC	OHC
TRANSMISSION						
Full Synchronmesh	2 ~ 6 Only	2 ~ 6 Only	2 ~ 6 Only	2 ~ 6 Only	N/A	2 ~ 6 Only
Gear Ratio : 1	8.190 - 1.0	6.515 - 1.0	6.746 - 0.823	6.515 - 0.702	3.487 - 0.653	6.515 - 0.702
Gearshift operation	Cable	Cable	Cable / Air Assist	Cable/Air Assist	N/A	Cable/Air Assist
Make & Model	HINO LX 06 S	HINO LX 06 S	HINO LJ 06 S	HINO MX06	Allison 3000	HINO MX06
No of forward gears	6	6	6	6	6	6
PTO & Control	Not Standard	Not Standard	Not Standard	Not Standard	Not Standard	Not Standard
Reverse Ratio :1	7,619	6,06	6,453	6,991	5,027	6,991
Transfer Box Ratio	N/A	2.224 Low / 1.000 High	N/A	N/A	N/A	N/A
AXLES						
Rear Axle Housing Type	Banjo Full Floating	Banjo Full Floating	Banjo Full Floating	Full Floating - Hypoid Gearing	Full Floating - Hypoid Gearing	Full Floating - Hypoid Gearing
Rear Axle Inter-Axle Diff lock	N/A	Non-Spin Diff	N/A	N/A	N/A	N/A
Rear Axle Make & Model	HINO SH 13	HINO SH 16	HINO SH 16	HINO SH 16	HINO SH 16	HINO SH 16
Rear Axle Ratio : 1	4,100	5,428	5,428	5,857	6,428	5,857
Rear Axle Ring Gear Size (inches)	13"	16"	16"	16"	16"	16"
Rear Axle Type	Hypoid - Single Reduction	Hypoid - Single Reduction	Hypoid - Single Reduction	Hypoid - Single Reduction	Hypoid - Single Reduction	Hypoid - Single Reduction
Front Axle Make	Hino LF366	Hino SS15	Hino LF571	Hino MF78IR	Hino MF78IR	Hino MF78IR
Front Axle Type	Reverse Elliot "I" Section Beam	Reverse Elliot "I" Section Beam	Reverse Elliot "I" Section Beam	Reverse Elliot "I" Section Beam	Reverse Elliot "I" Section Beam	Reverse Elliot "I" Section Beam
Front Axle Shock Absorbers	Yes	Yes	Yes	Yes	Yes	Yes
STEERING						
Steering Column	Tilt & Telescopic	Tilt & Telescopic	Tilt & Telescopic	Tilt & Telescopic	Tilt & Telescopic	Tilt & Telescopic
Turning radius on tyre : (mm)	7 840	10 350	10 120	9 400	9 400	10 800
Turning radius between walls : (mm)	8 500	10 880	10 770	10 200	10 200	11 600
Type	Power Assisted; Re-Circulating Ball	Power Assisted; Re-Circulating Ball	Power Assisted; Re-Circulating Ball	Power Assisted; Re-Circulating Ball	Power Assisted; Re-Circulating Ball	Power Assisted; Re-Circulating Ball
WHEELS & TYRES						
Attachment	6 Stud JIS Fixing	10 Stud JIS Fixing	10 Stud ISO Fixing	ISO - 10 Studs	ISO - 10 Studs	ISO - 10 Studs
No of Wheels including spare	7	7	7	7	7	7
Spare Wheel Carrier Location	Rear of Chassis	Rear of Chassis	Rear of Chassis	Rear of Chassis	Rear of Chassis	Rear of Chassis
Tyre Construction	Radial Tubed	Radial Tubed	Radial Tubeless	Radial Tubeless	Radial Tubeless	Radial Tubeless
Tyre size - Front	8.25R16	10.00R20	11R22.5	12R22.5	12R22.5	12R22.5
Tyre size - Rear	8.25R16	10.00R20	11R22.5	12R22.5	12R22.5	12R22.5
Wheel size - Front	6.00 x 16	7.00 x 20	8.25 x 22.5	22.5 x 8.25	22.5 x 8.25	22.5 x 8.25
Wheel size - Rear	6.00 x 16	7.00 x 20	8.25 x 22.5	22.5 x 8.25	22.5 x 8.25	22.5 x 8.25
Wheel Type	Multi Piece Steel	Multi Piece Steel	Single Piece Steel	Single Piece Steel	Single Piece Steel	Single Piece Steel

HINO 500

SPEC SHEET



HINO 500 WIDE CAB

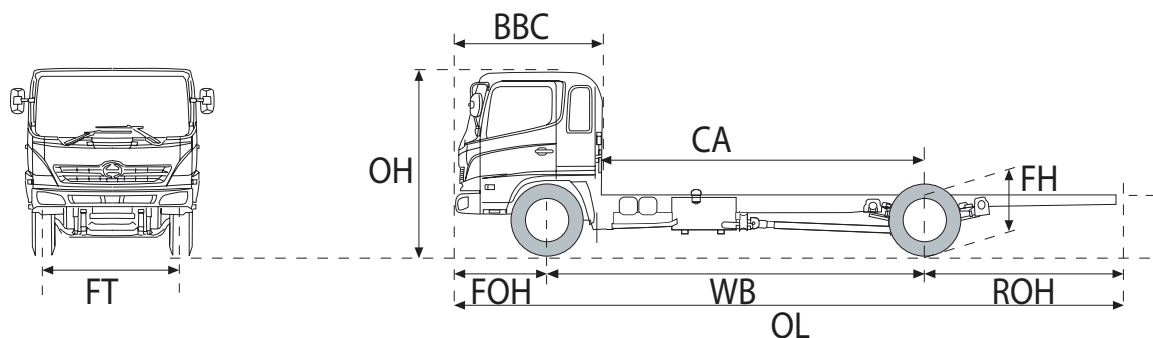
	HINO 500 1627 FC SLWB AT	HINO 500 1627 TIP	HINO 500 2829 FC LWB AT	HINO 500 2836 FC	HINO 500 2836 TIP
ENGINE					
Make and Model	J08E-WH	J08E-WH	J08E-WG	P11C-VT	P11C-VT
4 Stroke Compression Ignition	Yes	Yes	Yes	Yes	Yes
Aspiration	Turbo-Intercooled	Turbo-Intercooled	Turbo-Intercooled	Turbo-Intercooled	Turbo-Intercooled
Bore X Stroke (mm)	112x130	112x130	112x130	122x150	122x150
Capacity (cc)	7 684	7 684	7 684	10 520	10 520
Compression Ratio : ~ : 1	18:1	18:1	18:2	16:1	16:3
Configuration	Six Cylinder In-Line	Six Cylinder In-Line	Six Cylinder In-Line	Six Cylinder In-Line	Six Cylinder In-Line
Engine oil cooler	Yes	Yes	Yes	Yes	Yes
Euro Emission Status	3	3	3	3	3
Firing order	1-4-2-6-3-5	1-4-2-6-3-5	1-4-2-6-3-5	1-4-2-6-3-5	1-4-2-6-3-5
Governor : All speed / RLD	Yes	Yes	Yes	Yes	Yes
Governor: Electronic (80 km/h)	Yes	Yes	Yes	Yes	Yes
Injector Pump	Common Rail	Common Rail	Common Rail	Common Rail	Common Rail
Max Eng. Speed rpm	2 750	2 750	2 750	2 300	2 300
Power (EEC/ISO NET) kW @ rpm	191 @ 2 500	191 @ 2 500	206 @ 2 500	257 @ 2 100	257 @ 2 100
Torque Nm @ rpm	794 @ 1 500	794 @ 1 500	883 @ 2 750	1 275 @ 1 500	1 275 @ 1 500
Number of Cylinders	6	6	6	6	6
Valve Configuration	OHC	OHC	OHC	OHV	OHV
TRANSMISSION					
Full Synchromesh	N/A	2 ~ 6 Only	N/A	1 ~ 9 Only	1 ~ 9 Only
Gear Ratio : 1	3.487 - 0.653	6.515 - 0.702	4.593 - 0.651	10.178 - 0.724	10.178 - 0.724
Gearshift operation	N/A	Cable/Air Assist	N/A	Cable/Air Assist	Cable/Air Assist
Make & Model	Allison 3000	HINO MX06	Allison 3500	HINO M0090D	HINO M0090D
No of forward gears	6	6	6	9	9
PTO & Control	Not Standard	Not Standard	Not Standard	Not Standard	Not Standard
Reverse Ratio :1	5,027	6,991	4,999	9,874	9,874
Transfer Box Ratio	N/A	N/A	N/A	N/A	N/A
AXLES					
Rear Axle Housing Type	Full Floating - Hypoid Gearing	Full Floating - Hypoid Gearing	Full Floating - Hypoid Gearing	Full Floating - Hypoid Gearing	Full Floating - Hypoid Gearing
Rear Axle Inter-Axle Diff lock	N/A	N/A	N/A		
Rear Axle Make & Model	HINO SH 16	HINO SH 16	HINO SH 17	HINO THD 17	HINO THD 17
Rear Axle Ratio : 1	6,428	5,857	6,428	5,250	5,250
Rear Axle Ring Gear Size (inches)	16"	16"	17"	17"	17"
Rear Axle Type	Hypoid - Single Reduction	Hypoid - Single Reduction	Hypoid - Single Reduction	Hypoid - Single Reduction	Hypoid - Single Reduction
Front Axle Make	Hino MF78IR	Hino MF78IR	Hino MF78IR	Hino MF78IR	Hino MF78IR
Front Axle Type	Reverse Elliot "I" Section Beam	Reverse Elliot "I" Section Beam	Reverse Elliot "I" Section Beam	Reverse Elliot "I" Section Beam	Reverse Elliot "I" Section Beam
Front Axle Shock Absorbers	Yes	Yes	Yes	Yes	Yes
STEERING					
Steering Column	Tilt & Telescopic	Tilt & Telescopic	Tilt & Telescopic	Tilt & Telescopic	Tilt & Telescopic
Turning radius on tyre : (mm)	10 800	6 600	10 300	10 000	7 700
Turning radius between walls : (mm)	11 600	7 400	11 000	10 900	8 600
Type	Power Assisted; Re-Circulating Ball	Power Assisted; Re-Circulating Ball	Power Assisted; Re-Circulating Ball	Power Assisted; Re-Circulating Ball	Power Assisted; Re-Circulating Ball
WHEELS & TYRES					
Attachment	ISO - 10 Studs	ISO - 10 Studs	ISO - 10 Studs	ISO - 10 Studs	ISO - 10 Studs
No of Wheels including spare	7	7	11	11	11
Spare Wheel Carrier Location	Rear of Chassis	Rear of Chassis	Rear of Chassis	Rear of Chassis	On Tipper Body
Tyre Construction	Radial Tubeless	Radial Tubeless	Radial Tubeless	Radial Tubeless	Radial Tubeless
Tyre size - Front	12R22.5	12R22.5	315/80R22.5	315/80R22.5	315/80R22.5
Tyre size - Rear	12R22.5	12R22.5	295/80R22.5	295/80R22.5	295/80R22.5
Wheel size - Front	22.5 x 8.25	22.5 x 8.25	22.5 x 9.00	22.5 x 9.00	22.5 x 9.00
Wheel size - Rear	22.5 x 8.25	22.5 x 8.25	22.5 x 8.25	22.5 x 8.25	22.5 x 8.25
Wheel Type	Single Piece Steel	Single Piece Steel	Single Piece Steel	Single Piece Steel	Single Piece Steel

HINO 500

SPEC SHEET

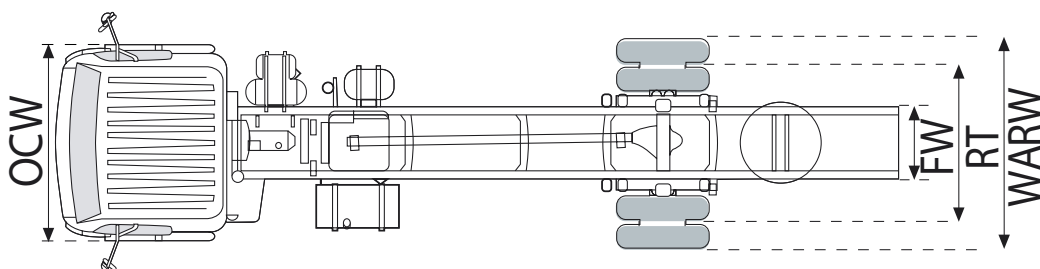


HINO 500 STANDARD CAB				HINO 500 WIDE CAB		
DESCRIPTION	HINO 500 1018 FC	HINO 500 1322 4X4 FC	HINO 500 1326 FC	HINO 500 1627 FC LWB	HINO 500 1627 FC LWB AT	HINO 500 1627 FC SLWB
BRAKES						
Parking Brake	Rear of Transmission	Spring Brake on Rear	Spring Brake on Rear	Spring Brake on Rear	Spring Brake on Rear	Spring Brake on Rear
ABS	Yes	No	Yes	Yes	Yes	Yes
Brake system : Front/Rear	Drum	Drum	Drum	Drum	Drum	Drum
Dual Circuit	Yes	Yes	Yes	Yes	Yes	Yes
LSP Valve on Rear Axle	No	Yes	No	N/A	N/A	N/A
Type	Air over Hydraulics	Air over Hydraulics	Full Air Wedge Type	Full Air S-Cam Type	Full Air S-Cam Type	Full Air S-Cam Type
Exhaust Brake	Yes	Yes	Yes	Yes	Yes	Yes
FUEL						
Capacity (Liters)	100	200	200	390	390	390
ADDITIONAL FEATURES						
Airbag	N/A	N/A	N/A	Driver Only	Driver Only	Driver Only
Central Locking	Yes	Yes	Yes	Yes	Yes	Yes
Cruise Control	N/A	N/A	N/A	Yes	Yes	Yes
Easy Start Assist	N/A	N/A	N/A	Yes	N/A	Yes
Immobiliser	N/A	N/A	N/A	Yes	Yes	Yes
Power Windows	Driver & Passenger	Driver & Passenger	Driver & Passenger	Driver & Passenger	Driver & Passenger	Driver & Passenger
Seatbelt Pre-tensioner	N/A	N/A	N/A	Driver Only	Driver Only	Driver Only
MASS DATA (KG)						
A - Front	3 600	4 500	5 500	7 380	7 380	7 380
A - Rear	6 520	9 000	9 000	9 000	9 000	9 000
Approx. body + payload allowance	7 380	8 145	9 125	10 817	10 771	10 717
D/T	15 000	21 000	17 000	32 000	32 000	32 000
GA - Front	3 600	4 500	5 500	7 500	7 500	7 500
GA - Rear	7 000	9 200	10 000	11 500	11 500	11 500
GCM	15 000	21 000	17 000	32 000	32 000	32 000
GVM	10 400	13 000	13 500	16 000	16 000	16 000
Tare - Front	1 920	2 985	2 670	3 121	3 155	3 166
Tare - Rear	1 070	1 870	1 705	2 062	2 074	2 117
Tare - Total (incl. spare wheel)	2 990	4 855	4 375	5 183	5 229	5 283
V - rating	10 400	13 000	13 500	16 000	16 000	16 000
DIMENSIONS (MM)						
CA - Cab to Axle	4 365	3 825	4 705	4 700	4 700	5 600
CH - Cab Height	2 490	2 800	2 635	2 775	2 770	2 770
CW - Cab Width (excl. mirrors)	2 190	2 355	2 355	2 490	2 490	2 490
FH - Frame Height Rear Axle	885	1 210	1 035	1 080	1 080	1 020
FOH - Front Overhang	1 145	1 235	1 235	1 280	1 280	1 280
FT - Front Track	1 800	1 925	1 920	2 050	2 050	2 050
FW - Frame Width (Front)	820	870	870	950	950	950
FW - Frame Width (Rear)	820	870	870	840	840	840
Max. homologated body width	2 400	2 600	2 600	2 600	2 600	2 600
Maximum Body Length	7 200	6 500	7 900	7 918	7 918	9 358
Suggested Body Length	6 500	5 800	6 500	7 175	7 175	8 625
MGC - Minimum Ground Clearance	225	225	230	230	230	230
OL - Overall Length	8 540	7 960	9 460	9 450	9 450	10 900
OVH - Overall Vehicle Height	2 475	2 800	2 635	2 775	2 770	2 770
ROH - Rear Overhang	2 260	1 930	2 550	2 640	2 640	3 190
RT - Rear Track	1 660	1 820	1 825	1 835	1 835	1 835
WB - Wheel Base	4 990	4 650	5 530	5 530	5 530	6 430



HINO 500 WIDE CAB

	HINO 500 1627 FC SLWB AT	HINO 500 1627 TIP	HINO 500 2829 FC LWB AT	HINO 500 2836 FC	HINO 500 2836 TIP
BRAKES					
Parking Brake	Spring Brake on Rear	Spring Brake on Rear	Spring Brake on Rear	Spring Brake on Rear	Spring Brake on Rear
ABS	Yes	Yes	Yes	Yes	Yes
Brake system : Front/Rear	Drum	Drum	Drum	Drum	Drum
Dual Circuit	Yes	Yes	Yes	Yes	Yes
LSP Valve on Rear Axle	N/A	N/A	N/A	N/A	N/A
Type	Full Air S-Cam Type	Full Air S-Cam Type	Full Air S-Cam Type	Full Air S-Cam Type	Full Air S-Cam Type
Exhaust Brake	Yes	Yes	Yes	Yes	Yes
FUEL					
Capacity (Liters)	390	200	390	390	200
ADDITIONAL FEATURES					
Airbag	Driver Only	Driver Only	Driver Only	Driver Only	Driver Only
Central Locking	Yes	Yes	Yes	Yes	Yes
Cruise Control	Yes	Yes	Yes	Yes	Yes
Easy Start Assist	N/A	Yes	N/A	Yes	Yes
Immobiliser	Yes	Yes	Yes	Yes	Yes
Power Windows	Driver & Passenger	Driver & Passenger	Driver & Passenger	Driver & Passenger	Driver & Passenger
Seatbelt Pre-tensioner	Driver Only	Driver Only	Driver Only	Driver Only	Driver Only
MASS DATA (KG)					
A - Front	7 380	7 380	7 500	7 500	7 500
A - Rear	9 000	9 000	18 000	18 000	18 000
Approx. body + payload allowance	10 671	11 117	18 641	17 581	17 881
D/T	32 000	32 000	38 000	45 000	45 000
GA - Front	7 500	7 500	7 500	7 500	7 500
GA - Rear	11 500	11 500	21 800	21 800	21 800
GCM	32 000	32 000	38 000	45 000	45 000
GVM	16 000	16 000	27 500	27 500	27 500
Tare - Front	3 205	2 856	3 085	3 781	3 531
Tare - Rear	2 124	2 027	3 774	4 138	4 088
Tare - Total (incl. spare wheel)	5 329	4 883	6 859	7 919	7 619
V - rating	16 000	16 000	25 500	25 500	25 500
DIMENSIONS (MM)					
CA - Cab to Axle	5 600	2 900	4 775	4 925	3 425
CH - Cab Height	2 770	2 775	2 770	2 910	2 915
CW - Cab Width (excl. mirrors)	2 490	2 490	2 490	2 490	2 490
FH - Frame Height Rear Axle	1 075	1 080	1 060	1 060	1 060
FOH - Front Overhang	1 280	1 280	1 280	1 380	1 380
FT - Front Track	2 050	2 050	2 030	2 030	2 030
FW - Frame Width (Front)	950	950	950	950	950
FW - Frame Width (Rear)	840	840	840	840	840
Max. homologated body width	2 600	2 600	2 600	2 600	2 600
Maximum Body Length	9 358	4 225	8 713	8 893	5 225
Suggested Body Length	8 625	4 225	7 725	7 975	5 225
MGC - Minimum Ground Clearance	230	230	220	220	220
OL - Overall Length	10 900	6 500	10 000	10 250	7 500
OVH - Overall Vehicle Height	2 770	2 775	2 770	2 910	2 915
ROH - Rear Overhang	3 190	1 490	2 440	1 340	1 290
RT - Rear Track	1 835	2 460	1 855	1 885	1 855
WB - Wheel Base	6 430	3 730	4 930 + 1 350	4 980 + 1 350	3 480 + 1 350



HINO 500

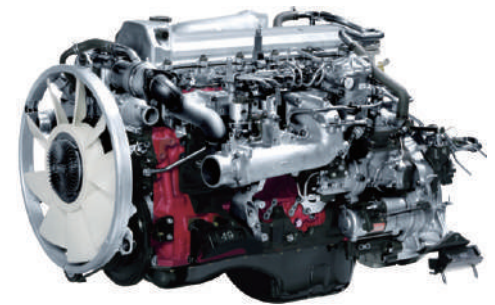
SPEC SHEET

JAPAN'S LEADING TRUCK BRAND BUILT TO DELIVER IN AFRICA

Japanese pedigree engineered for Africa that works hard for you, this is the solution to all your transport needs. Built to deliver, the HINO 500 Series is the perfect partner for your business.



Quality, durability & reliability (QDR), these are key characteristics that define the HINO 500 product range. The HINO 500 range offers total flexibility and choice to potential customers, capable of moving various loads effortlessly. So whether its for an application in mining, construction, distribution or agriculture there is a Hino 500 series model to suite your transport needs.



Fuel efficient HINO engines



SRS Driver side airbag (models > 16 ton GVM)



ABS Standard (all models except 4x4)



Manual / Automatic transmissions on selected models > 16 ton GVM



Cruise control standard (models > 16 ton GVM)

1. WIDE PRODUCT RANGE LINE-UP

Engine	5L, 8L and 11L
Configuration	4x2, 4x4, 6x2 and 6x4
Wheelbase	SWB, LWB and SLWB
Gross Vehicle Mass	10 000 kg to 25 500 kg
Gross Combination Mass	15 000 kg to 45 000 kg
Transmission	Manual (6-9 speed) and Automatic (6 speed)
Suspension	Steel

2. SAFETY FEATURES

ABS Brakes	Standard on all models (excluding 4x4)
SRS Airbag (driver side)	Standard on all > 16 ton GVM models
Electronic speed limiter	Standard on all > 10 ton GVM models

3. COMFORT AND CONVENIENCE

	Standard Cab (<16 ton GVM models)	Wide Cab (<16 ton GVM models)
Air suspension driver seat	—	✓
Airconditioner	✓	✓
Central locking	✓	✓
Cruise control	—	✓
"Easy Start Assist" on manual transmissions	—	✓
In-cab storage space	✓	✓
Power steering	✓	✓
Power windows	✓	✓
Radion/Speakers	✓	✓
Tilt & Telephonic steering column	✓	✓

Warranty Terms: 2 years or 100 000 km (whichever comes first, subject to HINO terms and conditions).

Disclaimer Information: Certain vehicle details and specifications contained in this leaflet may differ from available models. HINO Motors Limited and Africa Mobility Solutions (Pty) Ltd reserves the right to alter any details of specifications and equipment without notice. For the most current information on prices and specifications please contact your local HINO Distributor in your country.